

**KBT**

806-960 MHz /1710-2690MHz/3300-3800 MHz Vehicle Omni Antenna

TQC-0838G3

Application

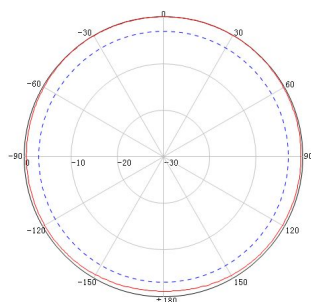
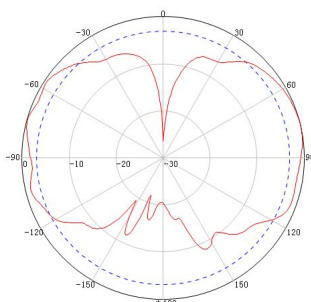
Used in 2G/4G/5G system

Electrical specifications

Frequency range (MHz)	806-960	1710-2690	3300-3800
Polarization	Vertical		
Gain (dBi)	2.5		
Horizontal beam width (°)	360		
Vertical beam width (°)	75		
Front-to-back ratio (dB)	/		
Cross-polar discrimination (dB)	/		
Isolation (dB)	/		
Impedance (Ω)	50		
VSWR	≤2.5		
Intermodulation IM3 (2×33dBm carrier)	/		
Maximum power (W)	50		
Lighting protection	/		

Mechanical specifications

Connector	N Plug
Connector position	/
Height/width/depth (mm)	φ 24*245
Packing size (mm)	/
Weight (g)	150
Radome material	Fiberglass
Radome color	Grey
Mechanical tilt (°)	/
Operating temperature (°C)	-40~65
Rated wind velocity (m/s)	/
Suitable pole diameter (mm)	/
Mounting kit	/

H PLANE**E PLANE**

Kenbotong reserves the right to change specifications without prior notice.

No.2 ChanxiuRoad, Foshan, Guangdong, China. 528061 Tel: +86-757-82219788 Fax: +86-757-82212072

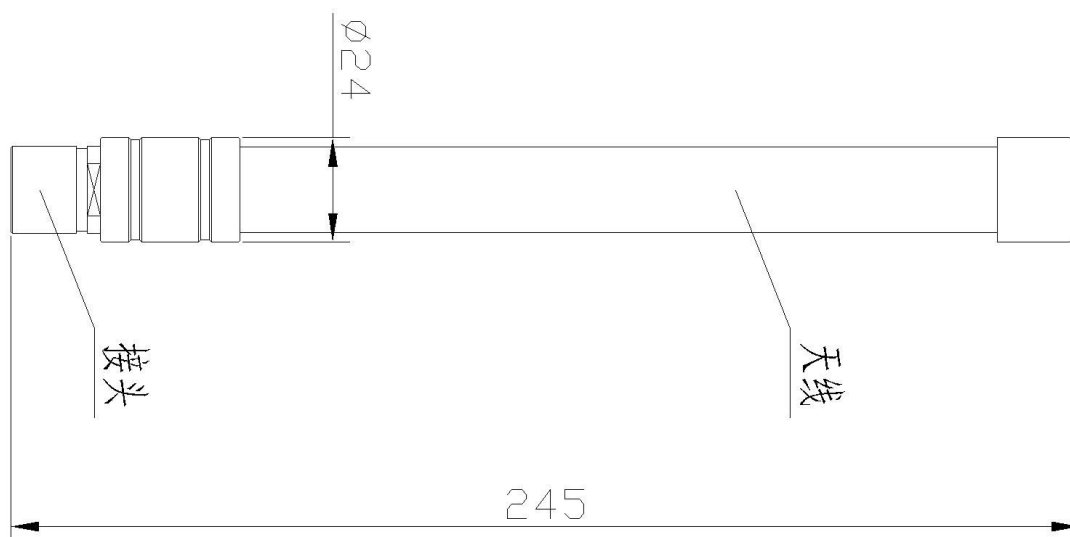
Email: kbt@kenbotong.com Web: http://www.kenbotong.com

**KBT**806-960 MHz /1710-2690MHz/3300-3800 MHz **Vehicle Omni Antenna**

Product Picture



Installation Sketch



Kenbotong reserves the right to change specifications without prior notice.

No.2 ChanxiuRoad, Foshan, Guangdong, China. 528061 Tel: +86-757-82219788 Fax: +86-757-82212072

Email: kbt@kenbotong.com Web: <http://www.kenbotong.com>